

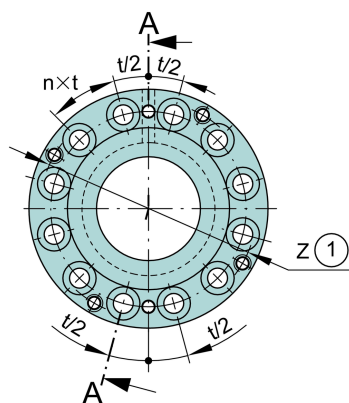
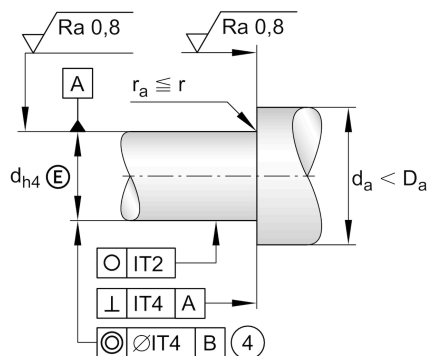
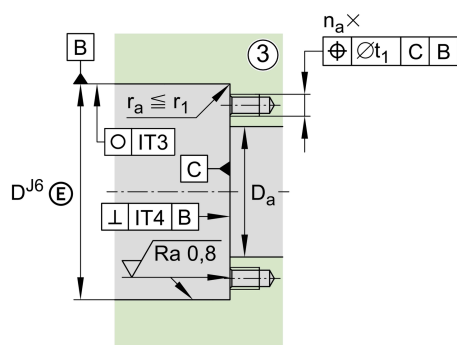
ZARF3590-TV

Needle roller/axial cylindrical roller bearing

Schaeffler ID:
0016824070000

Needle roller/axial cylindrical roller bearings ZARF, double direction, for screw mounting

Technical information

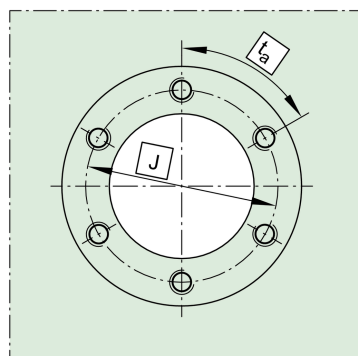
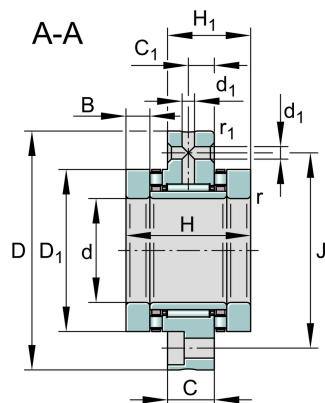


Main Dimensions & Performance Data

| | | |
|------------------------|-------------|---------------------------------------|
| d | 35 mm | Bore diameter |
| D | 90 mm | Outside diameter |
| H | 54 mm | Height |
| C_r | 26,000 N | Basic dynamic load rating, radial |
| C_{0r} | 47,000 N | Basic static load rating, radial |
| C_a | 56,000 N | Basic dynamic load rating, axial |
| C_{0a} | 148,000 N | Basic static load rating, axial |
| C_{ur} | 6,800 N | Fatigue load limit, radial |
| C_{ua} | 12,900 N | Fatigue load limit, axial |
| $n_{G \text{ Grease}}$ | 1,700 1/min | Limiting speed for grease lubrication |
| $n_{G \text{ Oil}}$ | 4,800 1/min | Limiting speed for oil lubrication |
| M_{RL} | 0.9 Nm | Bearing friction torque |
| | 1.036 kg | Weight |

Dimensions

| | | |
|--------------|-------------|------------------------------------|
| H_1 | 35 mm | Height outer ring over wave washer |
| c_{aL} | 2,600 N/μm | Rigidity axial |
| c_{kL} | 740 Nm/mrad | Tilting stiffness |
| C | 18 mm | Width, outer ring |
| | 1 μm | Axial runout |
| C_1 | 10 mm | Distance to lubrication hole |
| D_1 | 60 mm | Rip diameter shaft washer |
| M_A | 40 Nm | Tightening torque nut |
| | 12,143 N | Preload force axial |
| B | 11 mm | Width, inner ring |
| r_{min} | 0.3 mm | Minimum chamfer dimension |
| $r_{1 min}$ | 0.6 mm | Minimum chamfer dimension |
| d_1 | 3.2 mm | Diameter lubrication hole |
| J | 73 mm | Pitch circle diameter (holes) |
| $n \times t$ | 30 ° | Split |
| t_1 | 0.1 mm | Position bore in the housing |



Mounting dimensions

| | | |
|--------------|--------------------------|--------------------------------------|
| $D_{a \max}$ | 61 mm | Maximum diameter of housing shoulder |
| $d_{a \min}$ | 50 mm | Minimum diameter shaft shoulder |
| | ZMA35/58 | Locknut 1 |
| | AM35/58 | Locknut 2 |
| n | 12 | Number (screwing holes) |
| | M6 | Screw size |
| M_M | 2.8 kg * cm ² | Mass moment of inertia |
| n | 12 | Number of screws |
| na x ta | 30 ° | Division (screwing holes) |